

Tiltrotator EC226

engcon®

EC226: Adaptable for all excavators in the 19–26 ton weight class

Tiltrotator: Supplied with hose, quick couplings and electrical installation kit. The top bracket can be adapted to fit all machines on the market

- Rotation ∞
- ± 45° tilt
- Complies with European safety standards
- Extra outlet with high-flow as standard, or double extra outlets (does not apply to models with grab)
- Fitted with load bearing valves, which among other things are a requirement for driving with operating pallet forks

Quick hitch: We offer most of the quick hitches available on the market.

Control systems: Choose between several different control systems based on your machine's characteristics. Equipping your EC226 with engcon's Microprop proportional control system can be a real advantage, giving you stepless control and maximum precision.

Electrical system: Standard 24-volt electrical system.

Extra functions:

- Integrated grab

Specifications

Type	EC226
Width A: (mm)	426
Width B: (mm)	340
Width C: (mm)	340
Overall length D: (mm)	760
Construction height E: (mm)	from 500
Weight : (kg)	from 632
Tilt range:	2x45°
Recommended hydraulic flow SS5/SS10 (l/min):	120
Recommended hydraulic flow SS9 tilt/rotation: (l/min):	70/70
Max hydraulic pressure: (MPa)	22
Standard mountings:	S70, QS70
Max bucket width recommended by engcon: (mm)	2 000
Max tensile stress: (kNm)	270
Base machine weight: (t)	19–26

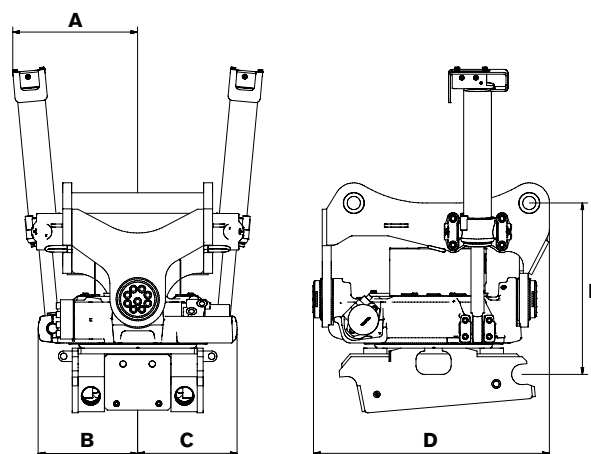
EC226



EC-Oil™
READY



- ▶ Prepared for central lubrication, with protected lube points
- ▶ Integrated lubrication channels
- ▶ All lube points routed to one single lubrication centre
- ▶ Heavy-duty upper & lower sections
- ▶ Space for machine control sensors
- ▶ 45° tilt angle
- ▶ Hydraulic motor on left side
- ▶ 50% higher breakout force (Compare with EC20B)
- ▶ 11.5% higher tilt torque (Compare with EC20B)
- ▶ Screw diameter increased, worm gear more robust
- ▶ Tilt axles increased bearing surface. Diameter 100 mm
- ▶ More service-friendly: lateral play adjustable without disassembly
- ▶ Better space for incoming hoses
- ▶ New type of valves for better fuel economy
- ▶ Tilt cylinders with load-bearing valves (important when operating with pallet forks)



TOOL SYSTEMS FOR INCREASED PROFITABILITY

engcon International Box 111, SE-833 22 Strömsund, Sweden | Phone +46 670 17800 | Fax +46 670 17828
E-mail international@engcon.com | Web www.engcon.com/international