

Tiltrotator EC02B

engcon®

EC02B: Adaptable for all excavators in the 1.5–2.5 ton weight class

Tiltrotator: Supplied with hose, quick couplings and electrical installation kit. The top bracket can be adapted to fit all machines on the market

- Rotation ∞
- $\pm 40^\circ$ tilt
- Complies with European safety standards

Quick hitch: We offer most of the quick hitches available on the market.

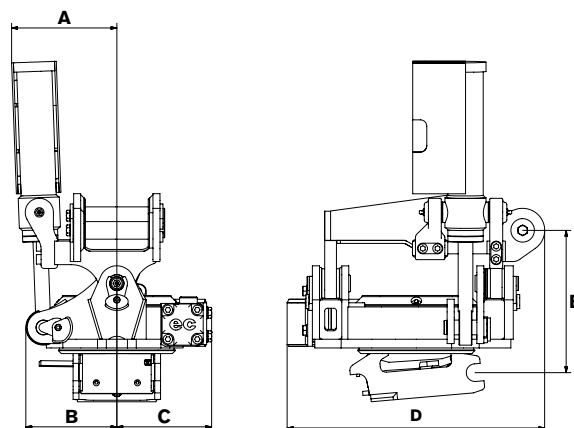
Control systems: Choose between several different control systems based on your machine's characteristics. The EC02B can benefit from being fitted with engcon's Microprop proportional control system, giving stepless control and maximum precision.

Electrical system: Standard 12-volt.

Specifications

Type	EC02B
Width A: (mm)	from 180
Width B: (mm)	155
Width C: (mm)	160
Overall length D: (mm)	435
Construction height E: (mm)	from 245
Weight : (kg)	from 77
Tilt range:	2x40°
Recommended hydraulic flow SS5/SS10 (l/min):	25
Recommended hydraulic flow SS9 tilt/rotation: (l/min):	7/20
Max hydraulic pressure: (MPa)	22
Standard mountings:	S30
Max bucket width recommended by engcon: (mm)	900
Max tensile stress: (kNm)	20
Base machine weight: (t)	1,5–2,5

EC02B



TOOL SYSTEMS FOR INCREASED PROFITABILITY

engcon International Box 111, SE-833 22 Strömsund, Sweden | Phone +46 670 17800 | Fax +46 670 17828
E-mail international@engcon.com | Web www.engcon.com/international