

Tiltrotator EC219

engcon®

EC219: Adaptable for all excavators in the 14–19 ton weight class

Tiltrotator: Supplied with hose, quick couplings and electrical installation kit. The top bracket can be adapted to fit all machines on the market

- Rotation ∞
- ± 45° tilt
- Complies with European safety standards
- Extra outlet with high-flow as standard, or double extra outlets (does not apply to models with grab)
- Load-bearing valves for the tilt cylinders (for example, operation with Pallet forks)

Quick hitch: We offer most of the quick hitches available on the market.

Control systems: Choose between several different control systems based on your machine's characteristics. Equipping your EC219 with engcon's Microprop proportional control system can be a real advantage, as it gives you stepless control and maximum precision.

Electrical system: Can be adapted to 12 V or 24 V electrical systems.

Extra functions:

- Integrated grab

EC219



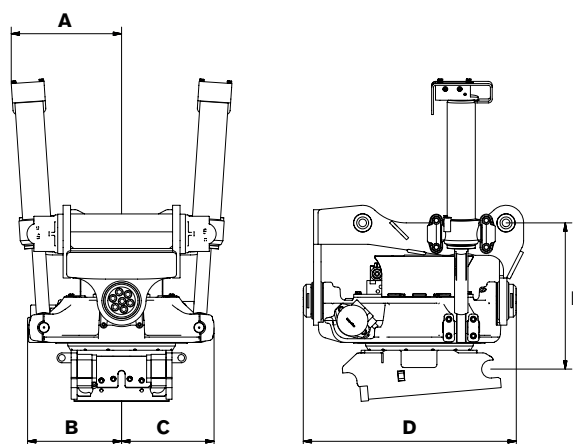
EC-Oil™
READY



- ▶ Prepared for central lubrication, with protected lube points
- ▶ Integrated lubrication channels
- ▶ All lube points routed to one single lubrication centre
- ▶ Heavy-duty upper & lower sections
- ▶ 45° tilt angle
- ▶ Hydraulic motor on left side
- ▶ 37% higher breakout force (compare with EC15B)
- ▶ 6.1% higher tilt torque (compare with EC15B)
- ▶ 27% higher torque (Compare with EC15B)
- ▶ Tilt axles increased bearing surface. Diameter 85mm
- ▶ More service-friendly: lateral play adjustable without disassembly
- ▶ New type of valves for better fuel economy
- ▶ Tilt cylinders with load-bearing valves (important when operating with pallet forks)

Specifications

Type	EC219
Width A: (mm)	396
Width B: (mm)	315
Width C: (mm)	310
Overall length D: (mm)	737
Construction height E: (mm)	from 480
Weight : (kg)	from 447
Tilt range:	2x45°
Recommended hydraulic flow SS5/SS10 (l/min):	120
Recommended hydraulic flow SS9 tilt/rotation: (l/min):	65/70
Max hydraulic pressure: (MPa)	22
Standard mountings:	S60, QS60
Max bucket width recommended by engcon: (mm)	1 700
Max tensile stress: (kNm)	186
Base machine weight: (t)	14–19



TOOL SYSTEMS FOR INCREASED PROFITABILITY

engcon International Box 111, SE-833 22 Strömsund, Sweden | Phone +46 670 17800 | Fax +46 670 17828
E-mail international@engcon.com | Web www.engcon.com/international