

Tiltrotator EC209

engcon®

EC209: Adaptable for all excavators in the 6–9 ton weight class

Tiltrotator: Supplied with hose, quick couplings and electrical installation kit. The top bracket can be adapted to fit all machines on the market.

- Rotation ∞
- ± 45° tilt
- Complies with European safety standards
- Extra outlet with high-flow as standard, or double extra outlets (does not apply to models with grab)
- Fitted with load bearing valves, which among other things are a requirement for driving with operating pallet forks

Quick coupler: We offer most of the quick couplers available on the market.

Control systems: Choose between several different control systems based on your machine's characteristics. The EC209 can be fitted with engcon's DC2 proportional control system to provide a real advantage, as it gives you stepless control, maximum precision and remote support via the mobile network.

Electrical system: Can be adapted to 12 V or 24 V electrical systems.

Extra functions: Integrated grab

Specifications

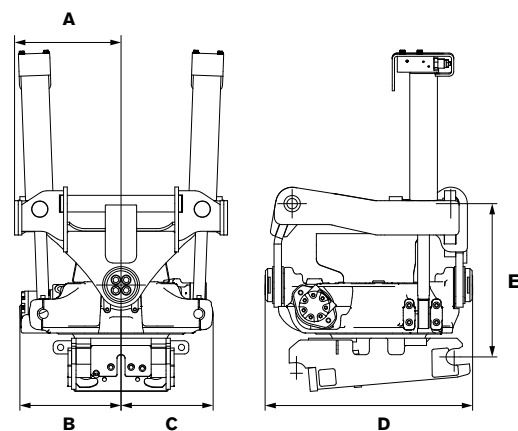
Type	EC209
Width A: (mm)	266
Width B: (mm)	250
Width C: (mm)	273
Overall length D: (mm)	561
Construction height E: (mm)	from 425
Weight : (kg)	from 287
Tilt range:	2x45°
Recommended hydraulic flow SS5/SS10 (l/min):	60
Recommended hydraulic flow SS9 tilt/rotation: (l/min):	35/40
Max hydraulic pressure: (MPa)	22
Standard mountings:	S45, QS45, S50, QS50
Max bucket width recommended by engcon: (mm)	1 300
Max tensile stress: (kNm)	74
Base machine weight: (t)	6–9

EC209



- ▶ Integrated lubrication channels, all lubrication points connected to one single lubrication centre
- ▶ Strong top and bottom sections
- ▶ 45° tilt angle
- ▶ Hydraulic motor on the left hand side
- ▶ The tilt cylinder has integrated check valves fitted as standard
- ▶ Grab cylinders* on models with grabs* and SS9 are fitted with a dump valve to avoid temporary loss of pressure when changing direction
- ▶ Adjust lateral play without removal
- ▶ Tilt axes with greater bearing surface
- ▶ Adapted for engcon's DC2 proportional control system for stepless, highest precision control and remote support via the mobile network
- ▶ Models with coupler sizes S45, S50 and S60 will be successively supplied with the Q-Safe quick coupler fitted as standard
- ▶ High tilt and rotate torque
- ▶ The latest valve technology gives lower fuel consumption.

* Extra equipment



TOOL SYSTEMS FOR INCREASED PROFITABILITY

engcon International Box 111, SE-833 22 Strömsund, Sweden | Phone +46 670 17800 | Fax +46 670 17828
E-mail international@engcon.com | Web www.engcon.com/international