

# Tiltrotator EC206

engcon®

## EC206: Adaptable for all excavators in the 4–6 ton weight class

**Tiltrotator:** Supplied with hose, quick couplings and electrical installation kit. The top bracket can be adapted to fit all machines on the market

- Rotation ∞
- ± 45° tilt
- Complies with European safety standards
- Extra outlet with high-flow as standard, or double extra outlets (does not apply to models with grab)

**Quick coupler:** We offer most of the quick couplers available on the market.

**Control systems:** Choose between several different control systems based on your machine's characteristics. The EC206 can be fitted with engcon's Microprop proportional control system to provide a real advantage, as it gives you stepless control, maximum precision and remote support via the mobile network.

**Electrical system:** Standard 12-volt.

**Extra functions:** Integrated grab

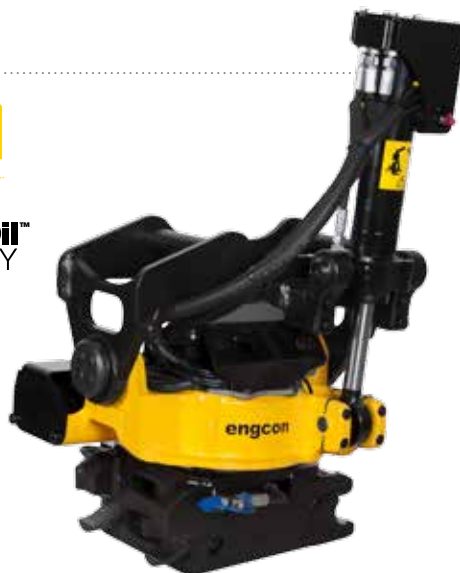
### Specifications

Type	EC206
Width A: (mm)	286
Width B: (mm)	220
Width C: (mm)	219
Overall length D: (mm)	500
Construction height E: (mm)	from 380
Weight : (kg)	from 170
Tilt range:	2×45°
Recommended hydraulic flow SS5/SS10 (l/min):	40
Recommended hydraulic flow SS9 tilt/rotation: (l/min):	15/30
Max hydraulic pressure: (MPa)	22
Standard mountings:	S40, S45, S50
Max bucket width recommended by engcon: (mm)	1 200
Max tensile stress: (kNm)	45
Base machine weight: (t)	4–6

### EC206

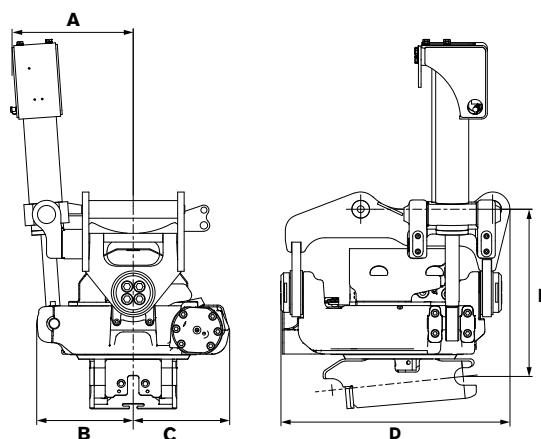


EC-Oil™  
READY



- ▶ Integrated lubrication channels, all lubrication points connected to one single lubrication point
- ▶ Strong top and bottom sections
- ▶ 45° tilt angle
- ▶ The tilt cylinder has integrated check valves fitted as standard – applies to all control systems
- ▶ Grab cylinders\* on grab models\* are fitted with dump valves to avoid temporary pressure drops when changing direction
- ▶ Adjust lateral play without removal
- ▶ Tilt axles now have increased bearing surfaces
- ▶ Adapted for engcon's Microprop DC2 proportional control system for stepless, highest precision control and remote support via the mobile network
- ▶ A six-channel swivel allows installation of both an integrated grab and an extra hydraulic function
- ▶ High tilt and rotate torque
- ▶ The latest valve technology gives lower fuel consumption.

\* Extra equipment



### TOOL SYSTEMS FOR INCREASED PROFITABILITY

engcon International Box 111, SE-833 22 Strömsund, Sweden | Phone +46 670 17800 | Fax +46 670 17828  
E-mail international@engcon.com | Web www.engcon.com/international