



# OILQUIK

**CONNECT TO  
THE FUTURE  
BE BETTER**

**OQTRS**  
TILTROTATORS WITH SANDWICH CONSTRUCTION



<b>1</b> WHO WE ARE	P. 3	<b>9</b> OPTIONAL EQUIPMENT	PP. 28–29
<b>2</b> QOTR IMAGESPOT	PP. 4–5	<b>10</b> PARTNER PROGRAMME	P. 30
<b>3</b> OPERATING PRINCIPLE	PP. 6–9	<b>11</b> WHAT OUR CUSTOMERS SAY	P. 31
<b>4</b> FUNCTION, MECHANICAL	PP. 10–11	<b>12</b> OILQUICK ACADEMY	PP. 32–33
<b>5</b> FUNCTION, HYDRAULIC	PP. 12–13	<b>13</b> UPGRADE	P. 34
<b>6</b> FUNCTION, FULLY HYDRAULIC	PP. 14–15	<b>14</b> CONTACT	P. 35
<b>7</b> CERTIFIED SAFETY	PP. 16–19		
<b>8</b> QOTRS PRODUCT RANGE	PP. 20–27		

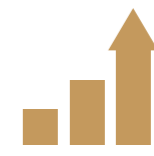
 **QUICK COUPLER SYSTEMS FOR MAXIMUM PERFORMANCE**

# THE ORIGINAL PIONEER SINCE 1993

Almost 30 years ago, OilQuick launched the first fully hydraulic quick coupler, revolutionising the construction industry. We are still visionaries and our OilQuick quick couplers continue to define the state of the art. Every day, our engineers work on groundbreaking innovations that allow attachments to be changed even more quickly. **Our aim:** We develop products that improve your work. Making your day-to-day work with your construction machine more efficient, convenient and safe.



**EFFICIENCY**  
Coupling and uncoupling works directly from the cab, without the use of tools or handling oil-contaminated couplings.



**OPERATING EFFICIENCY**  
At just a few tool changes a day, the investment pays for itself from short changeover times and more intelligent work processes!



**SAFETY**  
We use innovative tools to redefine safety and significantly reduce the risk of workplace accidents.



**SERVICE**  
We develop individual special solutions, retrofit innovations to existing equipment and offer a worldwide network of dealers and service centres.

# THE FUTURE IS CLOSER THAN YOU THINK

We think as visionaries and utilize the most innovative technologies to make your daily life easier, safer and more efficient. For the best human-machine team in the galaxy. With the OilQuick Tiltrotator you can start working on tomorrow's construction site, today. Our mission: To always stay one step ahead. **See for yourself!**



Stream the OilQuick tiltrotator image film right now



[oilquick.de/future](https://oilquick.de/future)



### QUICK AND SMART THE OQTRS TILTROTATOR

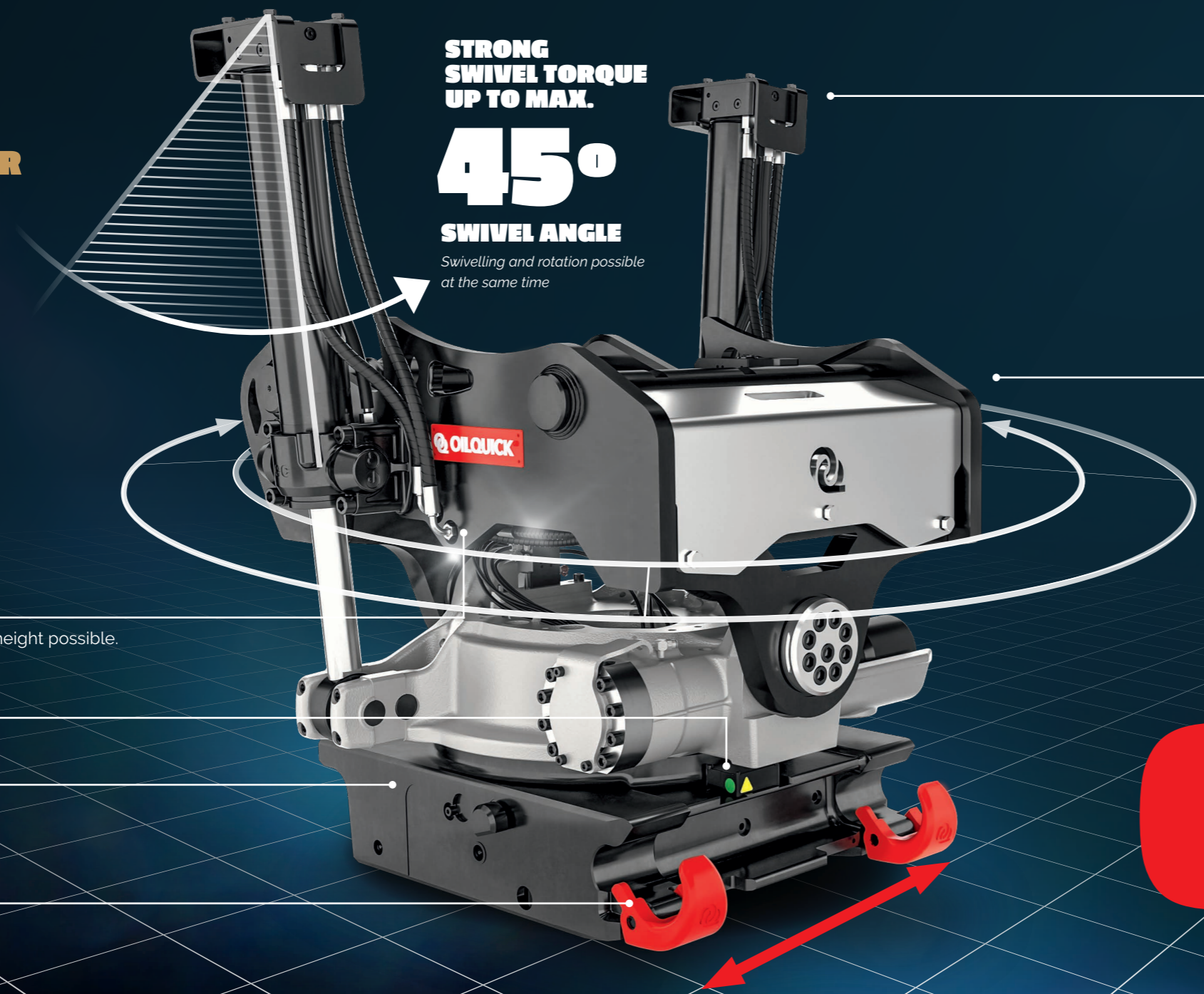
- ✓ **LOW CONSTRUCTION HEIGHT**
- ✓ **PROTECTED HYDRAULIC CONNECTIONS**
- ✓ **IMPACT-RESISTANT BEARING**
- ✓ **LOWER WEIGHT**

**CYLINDER PIPING**  
integrated into steel structure. Lower attachment height possible.

**VISUAL MRL DISPLAY**  
*(not in mechanical variant)*

**OQ QUICK COUPLER**

**DROP GUARD**



**STRONG SWIVEL TORQUE UP TO MAX.**

# 45°

**SWIVEL ANGLE**  
*Swivelling and rotation possible at the same time*

**SERIES: DOUBLE-ACTING HYDRAULIC CYLINDER**

with tempered piston rod and load retention valves  
(Requirement when travelling with pallet fork)

GPS support (1 sensor): easy maintenance and retrofitting. Prepared for ePS (engcon Positioning System) for connection to any desired GPS system\* (applies from EC209)



*\* Requires ePS and can be combined with Leica Geosystems, Scanlaser, Topcon, Trimble, Novatron and MOBA (2017). Contact the supplier of your excavator system regarding compatibility.*

# 360°

**STRONG ROTATIONAL TORQUE**  
*infinite rotation in both directions*

# 0°

**ZERO-DEGREE-TECHNOLOGY**  
*New: OilQuick tiltrotator with the revolutionary zero degrees standard*

# FOR EVERYONE WITH BIG PLANS WE BOOST YOUR PRODUCTIVITY!

Rotate endlessly in both directions and simultaneously swivel sideways up to 45°. Our OQTR Series tiltrotators allow you to bring attached tools to any desired position. We combine the proven tiltrotator system from our cooperation partner engcon with the OilQuick quick coupler technology above and below the OilQuick tiltrotator. Thanks to this sandwich construction (OQTRS), not only can you change the attachments on the tiltrotator under mechanical or hydraulic control, but also take off the OilQuick tiltrotator itself from time to time to make maximum use of the excavator's performance capacity.

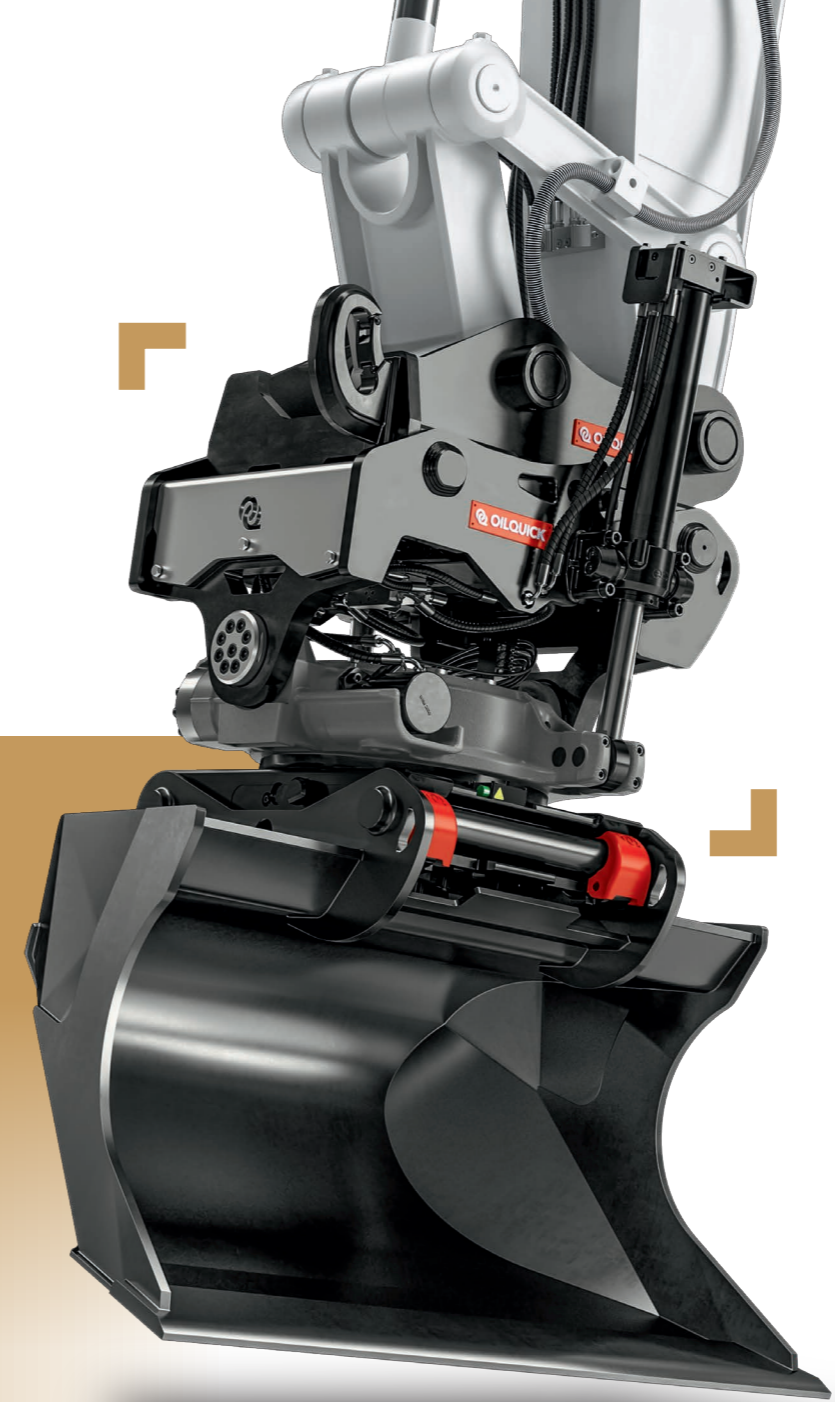
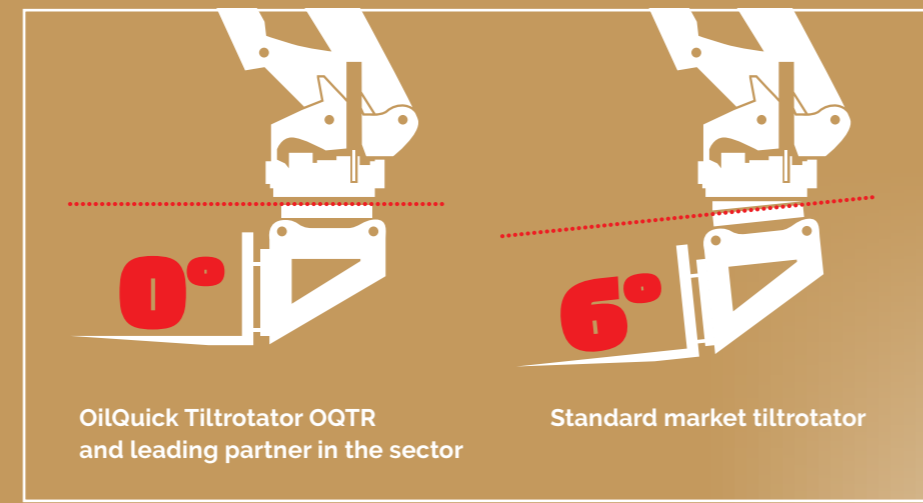
For excavators from 4 to 33 tonnes. Also for fixed attachments (OQTRF).

All OQTR-E models can optionally be delivered with ePS for connection to common GPS systems.

# BE BALANCED BE BETTER



SUPPORTED BY LEADING PARTNERS WITHIN THE SECTOR:



## TILTROTATOR WITH ZERO DEGREE TECHNOLOGY



Zero4Hero.de

- ✓ **Full compatibility:** The previously standard 6° tilt of the rotation level no longer applies. You can use any conventional attachment with any manufacturer.
- ✓ **Simple to operate:** From now on, the machine operator no longer needs to correct for any rocking of the attachment – ensures the tiltrotator is a pleasure to work with.
- ✓ **Better safety:** The Zero Degree Technology reduces both the time needed to start working with the device and the risk of accident, thus contributing to better health and safety on your construction site.

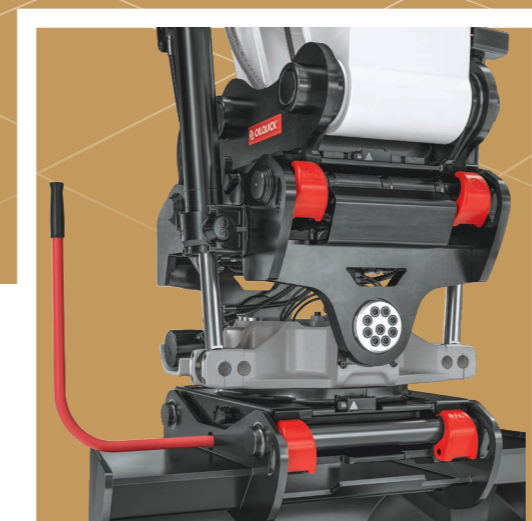
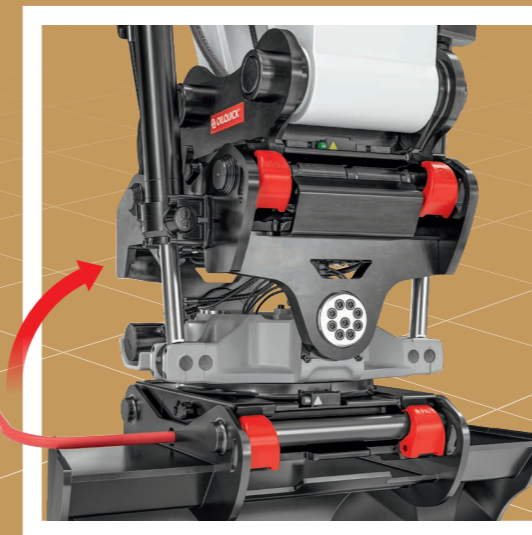
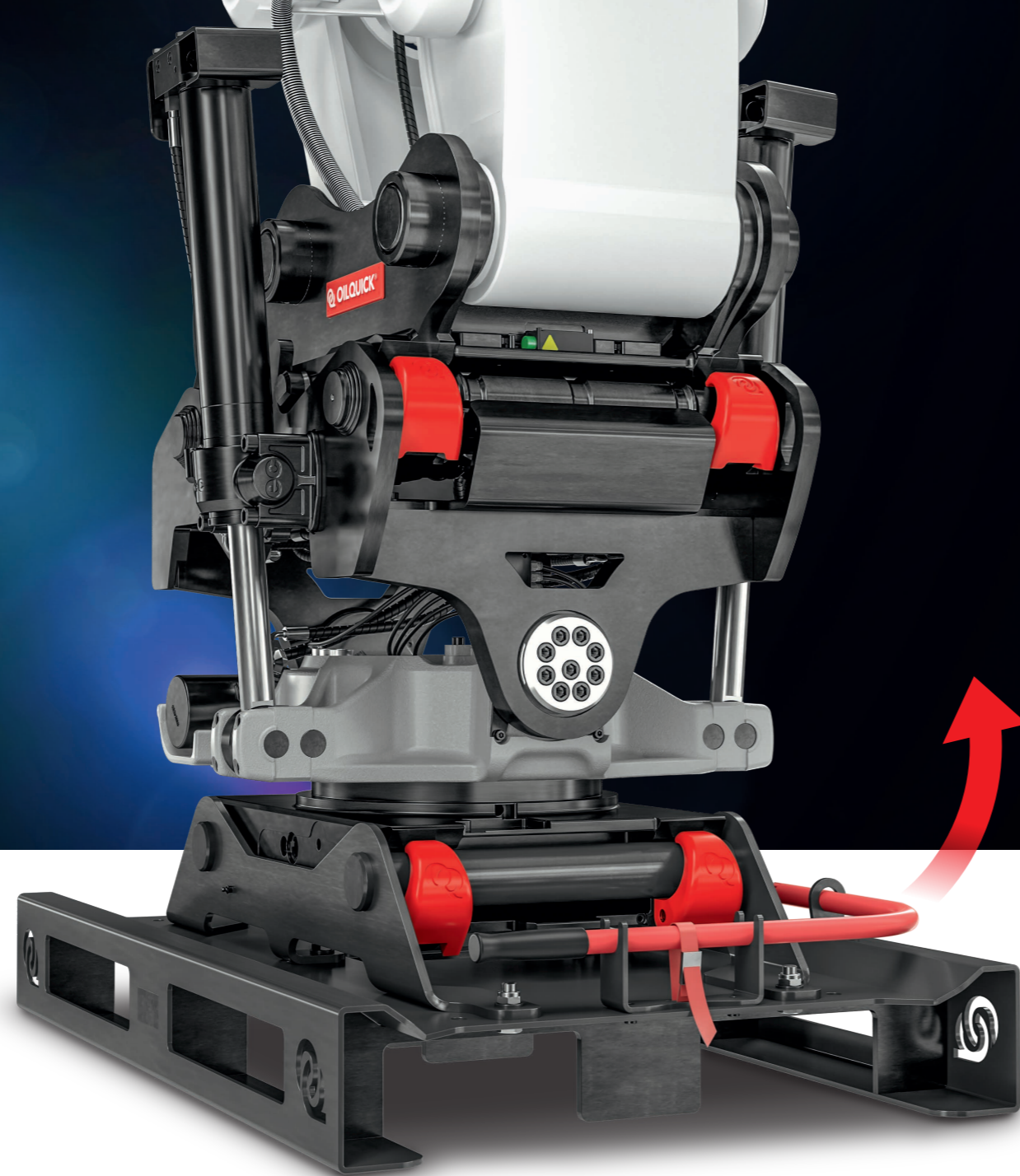


# TILTROTATOR OQTRS MECHANICAL

The mechanical version is a popular choice for newcomers to the world of tiltrotators and a varied, easy-to-use solution for rental parks: The machine operator locks and unlocked the quick couplers using a socket wrench simply connect and get going!

**FROM MECHANICAL TO FULLY HYDRAULIC – CAN BE RETROFITTED AT ANY TIME**

	MECHANICAL	HYDRAULIC/ BASIC	FULLY HYDRAULIC
simple and flexible device replacement	✓	✓	✓
Zero Degree Technology	✓	✓	✓
can be used with all excavator brands	✓	✓	✓
tool changes from the cab	—	✓	✓
hydraulic supply to attached devices	—	—	✓



- ✓ NO ADDITIONAL VALVE TECHNOLOGY NEEDED
- ✓ READY FOR USE IMMEDIATELY
- ✓ NO ADDITIONAL CONTROL SYSTEM NEEDED
- ✓ WITHOUT ELECTRIC COUPLING
- ✓ FOR IMMEDIATE USE ON ANY EXCAVATOR
- ✓ FLEXIBILITY FOR THE RENTAL FLEET



## DID YOU KNOW?

Our sustainable and modular system guarantees easy retrofitting from mechanical to hydraulic or fully hydraulic, entirely without replacement.

# TILTROTATOR OQTRS HYDRAULIC BASIC

FROM MECHANICAL TO FULLY HYDRAULIC –  
CAN BE RETROFITTED AT ANY TIME

	MECHANICAL	HYDRAULIC/ BASIC	FULLY HYDRAULIC
simple and flexible device replacement	✓	✓	✓
Zero Degree Technology	✓	✓	✓
can be used with all excavator brands	✓	✓	✓
tool changes from the cab	—	✓	✓
hydraulic supply to attached devices	—	—	✓



Using the hydraulic OilQuick quick coupler, you can easily couple or uncouple attachments – with the sandwich construction, even the entire tiltrotator – from the cab at the touch of a button.



- ✓ TOOL CHANGES FROM THE CAB
- ✓ LOW DESIGN
- ✓ EASY TO MAINTAIN



## DID YOU KNOW?

Our complete High Flow competence is also available in the fixed attachment.

# TILTROTATOR OQTRS FULLY HYDRAULIC

FROM MECHANICAL TO FULLY HYDRAULIC –  
CAN BE RETROFITTED AT ANY TIME

	MECHANICAL	HYDRAULIC/ BASIC	FULLY HYDRAULIC
simple and flexible device replacement	✓	✓	✓
Zero Degree Technology	✓	✓	✓
can be used with all excavator brands	✓	✓	✓
tool changes from the cab	—	✓	✓
hydraulic supply to attached devices	—	—	✓



In the fully hydraulic version of the tilt rotator, the oil lines of your attachments are coupled at the same time in addition to the hydraulic lock, depending on the flow volume "Low Flow" or "High Flow".

- ✓ **WELL-THOUGHT-OUT PIPING SYSTEM THAT PROTECTS AGAINST DAMAGE**
- ✓ **OPTIMAL OIL SUPPLY – EVEN FOR HIGH-SPEED ATTACHMENTS**
- ✓ **APPROVED FOR HAMMERS AND MILLING CUTTERS WITHOUT LIMITATIONS**

## WHICH CONTROL SYSTEM? THE RIGHT ONE FOR YOU!

With our modular hydraulic platform we adapt the OilQuick tiltrotator to your excavators control system – not the other way round. No need to make changes to your joystick and without any risk to your CE certification.



# AWARD-WINNING OCCUPATIONAL SAFETY INNOVATIONS AT THE CUTTING EDGE OF THE SECTOR

Our engineers are continuously developing the OilQuick quick coupler. We have your back – with well thought-out user functions, advanced occupational safety ideas and digital features. This also impress experts in the field: Berufsgenossenschaft der Bauwirtschaft (BG Bau, statutory accident insurance for construction and construction-related services in Germany) awarded OilQuick the EuroTest Prize 2019 for its "outstanding technical occupational safety and product safety" achievements.



## YOUR SAFETY REDEFINED

- VISUAL DISPLAY
- DROP GUARD
- ZERO DEGREE TECHNOLOGY
- CLEAN SYSTEM



## SAFER: DROP GUARD

Incorrectly mounted attachment?  
Accidentally opened locking bolts?  
The OilQuick drop guard reliably prevents  
your attachments from falling.



## MORE SUSTAINABLE: CLEAN SYSTEM

From A for ALLU Group to Z for Zeppelin  
Baumaschinen GmbH: More than 200 partners  
in the construction machinery sector are  
already working with us to promote homogeneous  
quick coupler systems.



## MORE EFFICIENT: OILQUICK APP

Smartphones and tablets have long been part  
of the standard toolbox of machine operators  
and service technicians. In our OilQuick App you  
will find many practical digital services for your  
quick coupler!



## SMARTER: VISUAL MRL DISPLAY

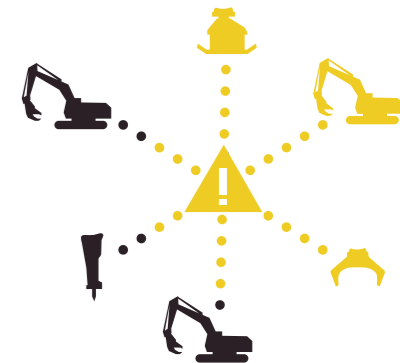
Popular with machine operators and acclaimed by  
health and safety experts: The OilQuick visual  
MRL display was jointly developed with users  
and makes locking control easier than ever before.



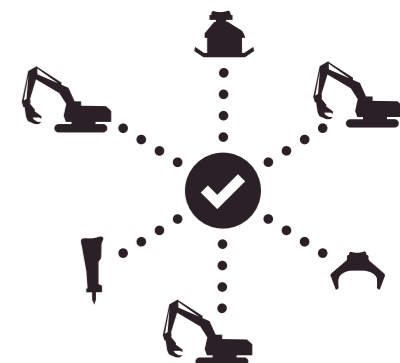
# BE A PART OF BE BETTER

The variety of systems has grown along with the rising success of  
the quick coupler – and with it the number of possible system  
combinations. Practice shows that mixed operation of this type creates  
unforeseeable complications, even at safety-related interfaces.

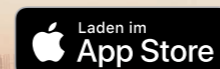
Which is why we introduced the Clean System Seal in 2019: Over  
200 dealers and rental fleets have already voluntarily undertaken  
to not combine OilQuick quick couplers with products from  
other manufacturers and to only use genuine spare parts. Because  
when we guarantee your safety, for us this also means the smooth  
operation and long service life of our quick couplers.



Danger of contamination  
during mixed operation



A clean,  
homogeneous system



# UNDENIABLY EFFICIENT

Our OilQuick tiltrotator with quick coupler is your flexible "wrist", and lets you not only expand the uses of your excavator, but also saves you time and money. Work in places that are normally hard to reach and save yourself difficult manual work.

»With the OilQuick tiltrotator we have to do much less switching around. We are able to work faster, save more fuel and be more environmentally friendly.«



## IN FIGURES

Among other things, the efficiency of excavation and filling work in structural and civil engineering is cut by up to half!

# OQTRS

## THE UNIVERSAL JOINT FOR YOUR EXCAVATOR

For digging around obstacles, filling with maximum precision or creating models to that are gentle on the substrate: The OilQuick tiltrotator enables maximum freedom of movement and quick tool changes without implements. For excavators from 4 to 33 tonnes service weight, for structural and civil engineering, for landscaping and platform construction, road and sewer work.



**DOES YOUR HUMAN-MACHINE TEAM NEED AN UPGRADE?**

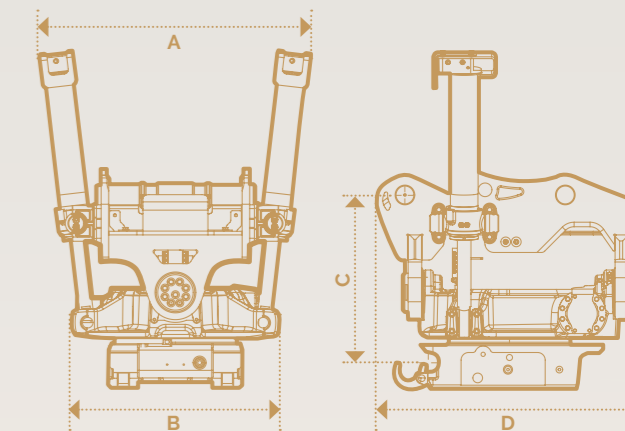
Simply scan the QR code.



# OQTRS-E06

## TILTROTATOR FOR ALL EXCAVATORS FROM 4 TO 6 t

The OilQuick tiltrotator for smaller compact excavators



### TECHNICAL DATA

Max. scoop width	1.2 m
Max. breakaway torque	45 kNm
Weight (kg)	from 280 kg
Swivel angle	up to 2 x 45°
Swivel time for 90°	3 sec. at 15 L/min
Rotation	infinite
Rotation speed / revolution	6,5 sec. at 30 L/min

### DIMENSIONS

#### OQ45-4/-5

Dim. (A)	577 mm
Dim. (B)	363,5 mm
Dim. (C)	472,5 mm
Dim. (D)	573 mm

### CONTROL SYSTEM:

on request

### TIPPING CYLINDER:

double-acting with load retention valve

### CENTRAL LUBRICATION:

one central lubrication point

### ROTOR:

infinite rotation in both directions

### Mechanical

without rotary transmission – mechanical quick coupler at bottom

### Basic version, hydraulic

with basic rotary transmission – with basic valve unit – hydraulic basic quick coupler at bottom



# OQTRS-E09

TILTROTATOR FOR ALL EXCAVATORS FROM 6 TO 9 t

The OilQuick tiltrotator for compact excavators

**TECHNICAL DATA**

Max. scoop width 1.3 m  
 Max. breakaway torque 74 kNm  
 Weight (kg) from 285 kg  
 Swivel angle up to 2 x 45°  
 Swivel time for 90° 3 sec. at 35 l/min  
 Rotation infinite  
 Rotation speed / revolution 7 sec. at 40 l/min

**CONTROL SYSTEM:**  
 on request

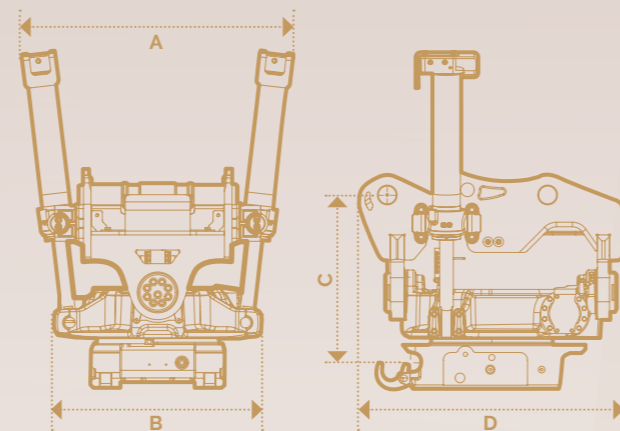
**TIPPING CYLINDER:**  
 double-acting with load retention valve

**CENTRAL LUBRICATION:**  
 one central lubrication point

**ROTOR:**  
 infinite rotation in both directions

Mechanical  
 without rotary transmission – mechanical quick coupler at bottom

Basic version, hydraulic  
 with basic rotary transmission – with basic valve unit – hydraulic basic quick coupler at bottom



**DIMENSIONS**

OQ45-4/-5	OQ60-4/-5
Dim. (A) 690 mm	Dim. (A) 725 mm
Dim. (B) 510 mm	Dim. (B) 510 mm
Dim. (C) 470 mm	Dim. (C) 530 mm
Dim. (D) 550 mm	Dim. (D) 550 mm



# OQTRS-E14

TILTROTATOR FOR ALL EXCAVATORS FROM 9 TO 14 t

The OilQuick tiltrotator for lightweight mid-range excavators

**TECHNICAL DATA**

Max. scoop width 1.6 m  
 Max. breakaway torque 126 kNm  
 Weight (kg) from 300 kg  
 Swivel angle up to 2 x 45°  
 Swivel time for 90° 3 sec. at 35 l/min  
 Rotation infinite  
 Rotation speed / revolution 7 sec. at 50 l/min

**CONTROL SYSTEM:**  
 on request

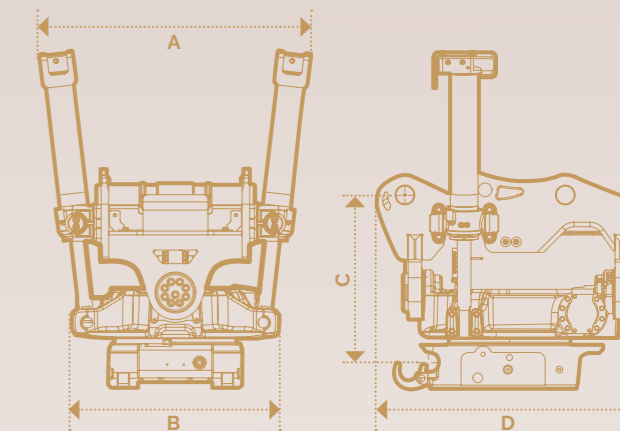
**TIPPING CYLINDER:**  
 double-acting with load retention valve

**CENTRAL LUBRICATION:**  
 one central lubrication point

**ROTOR:**  
 infinite rotation in both directions

Mechanical  
 without rotary transmission – mechanical quick coupler at bottom

Basic version, hydraulic  
 with basic rotary transmission – with basic valve unit – hydraulic basic quick coupler at bottom



**DIMENSIONS**

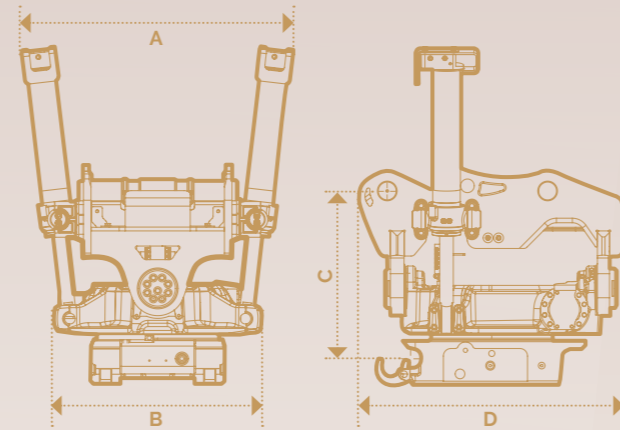
OQ45-4/-5	OQ60-4/-5
Dim. (A) 700 mm	Dim. (A) 750 mm
Dim. (B) 610 mm	Dim. (B) 610 mm
Dim. (C) 500 mm	Dim. (C) 530 mm
Dim. (D) 620 mm	Dim. (D) 620 mm



# OQTRS-E19

TILTROTATOR FOR ALL EXCAVATORS FROM 14 TO 19 t

The OilQuick tiltrotator for mid-range excavators with a wide range of applications



**TECHNICAL DATA**

Max. scoop width 1.7 m  
 Max. breakaway torque 186 kNm  
 Weight (kg) from 460 kg  
 Swivel angle up to 2 x 45°  
 Swivel time for 90° 3 sec. at 65 l/min  
 Rotation infinite  
 Rotation speed / revolution 6 sec. at 70 l/min

**CONTROL SYSTEM:**  
 on request

**TIPPING CYLINDER:**  
 double-acting with load retention valve

**CENTRAL LUBRICATION:**  
 one central lubrication point

**ROTOR:**  
 infinite rotation in both directions

Mechanical  
 without rotary transmission – mechanical quick coupler at bottom

Basic version, hydraulic  
 with basic rotary transmission – with basic valve unit – hydraulic basic quick coupler at bottom

**DIMENSIONS**

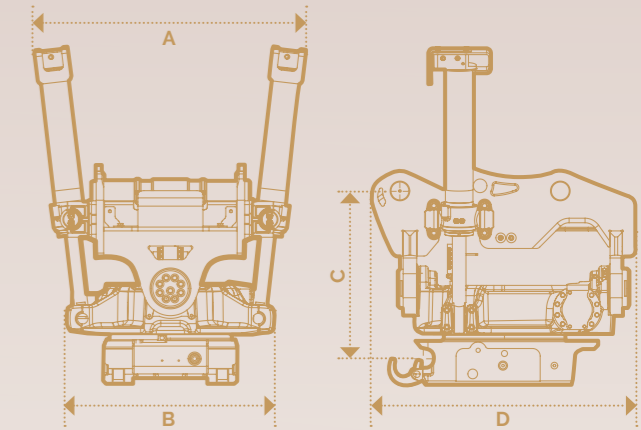
OQ60-4/-5	OQ65 / RAIL	OQ70/55
Dim. (A) 790 mm	Dim. (A) 880 mm	Dim. (A) 1010 mm
Dim. (B) 600 mm	Dim. (B) 600 mm	Dim. (B) 730 mm
Dim. (C) 500 mm	Dim. (C) 610 mm	Dim. (C) 570 mm
Dim. (D) 800 mm	Dim. (D) 800 mm	Dim. (D) 800 mm



# OQTRS-E26

TILTROTATOR FOR ALL EXCAVATORS FROM 19 TO 26 t

The OilQuick tiltrotator for powerful mid-range excavators



**TECHNICAL DATA**

Max. scoop width 2.0 m  
 Max. breakaway torque 270 kNm  
 Weight (kg) from 580 kg  
 Swivel angle up to 2 x 45°  
 Swivel time for 90° 5 sec. at 70 l/min  
 Rotation infinite  
 Rotation speed / revolution 7 sec. at 70 l/min

**CONTROL SYSTEM:**  
 on request

**TIPPING CYLINDER:**  
 double-acting with load retention valve

**CENTRAL LUBRICATION:**  
 one central lubrication point

**ROTOR:**  
 infinite rotation in both directions

Mechanical  
 without rotary transmission – mechanical quick coupler at bottom

Basic version, hydraulic  
 with basic rotary transmission – with basic valve unit – hydraulic basic quick coupler at bottom

**DIMENSIONS**

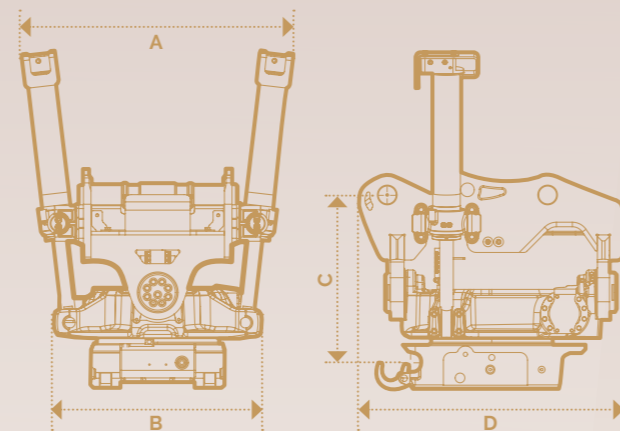
OQ65 / RAIL	OQ70	OQ70/55
Dim. (A) 820 mm	Dim. (A) 850 mm	Dim. (A) 890 mm
Dim. (B) 680 mm	Dim. (B) 680 mm	Dim. (B) 780 mm
Dim. (C) 610 mm	Dim. (C) 630 mm	Dim. (C) 630 mm
Dim. (D) 820 mm	Dim. (D) 870 mm	Dim. (D) 870 mm



# OQTRS-E33

TILTROTATOR FOR ALL EXCAVATORS FROM 24 TO 33 t

The OilQuick tiltrotator for larger excavators



**TECHNICAL DATA**

Max. scoop width	2.2 m
Max. breakaway torque	340 kNm
Weight (kg)	from 900 kg
Swivel angle	up to 2 x 45°
Swivel time for 90°	5 sec. at 70 l/min
Rotation	infinite
Rotation speed / revolution	7 sec. at 70 l/min

**CONTROL SYSTEM:**

on request

**TIPPING CYLINDER:**

double-acting with load retention valve

**CENTRAL LUBRICATION:**

one central lubrication point

**ROTOR:**

infinite rotation in both directions

**Mechanical**

without rotary transmission – mechanical quick coupler at bottom

**Basic version, hydraulic**

with basic rotary transmission – with basic valve unit – hydraulic basic quick coupler at bottom

**DIMENSIONS**

	<b>OQ70</b>	<b>OQ70/55</b>	<b>OQ80</b>
Dim. (A)	1040 mm	1100 mm	1140 mm
Dim. (B)	800 mm	800 mm	800 mm
Dim. (C)	790 mm	790 mm	850 mm
Dim. (D)	1000 mm	1000 mm	1000 mm



»The flexibility of the OilQuick tiltrotator not only saves many mechanical work steps, but also relieves our employees of heavy manual work with shovel and spade.«

**SUSTAINABLY PROFITABLE**

We want to inspire you. With continuous innovation, but also with operational reliability and investment security. That's why we treat your resources responsibly and guarantee above-average service life and high value retention.



# SPECIAL TODAY. STANDARD TOMORROW. CUSTOM PRODUCTIONS

Our great passion is developing innovative solutions for construction site issues. The fully automated quick coupler therefore plays a central role when initiating entirely new tools and work processes. Many OilQuick products are based on special designs for customers or on suggestions from retail trade. So we are not interested in unit numbers, but in the best individual solution.

**WE EXPAND OUR  
THINKING. AND  
WOULD BE HAPPY TO  
DO SO WITH YOU.**

Do you have special requirements for the OilQuick think tank? You've got our attention!

**+49 8202 9618-0**



## PRECISION PLUS EPS

All models of the OQTRS-S can optionally be delivered with ePS (engcon Positioning System): Together with the excavator's GPS control system or a 3D system, you'll receive maximum control over the positioning of the attachments on the tiltrotator, such as the price tilt and rotation of the scoop.

## THE ADD-ON FOR GRIPPING WORK GRIPPER CLAMP

The gripper module with 3-finger claw is an integrated tool for picking up and handling materials such as pipes or stones.

## WHOEVER NEEDS IT ADAPTER FOR GRIPPER

Many tiltrotators integrate a gripper as standard. We deliberately take a different path: Using our optional adapter, you can stay flexible, save weight and benefit from a low attachment height.



# SAFE STORAGE STORAGE AND TRANSPORT FRAME

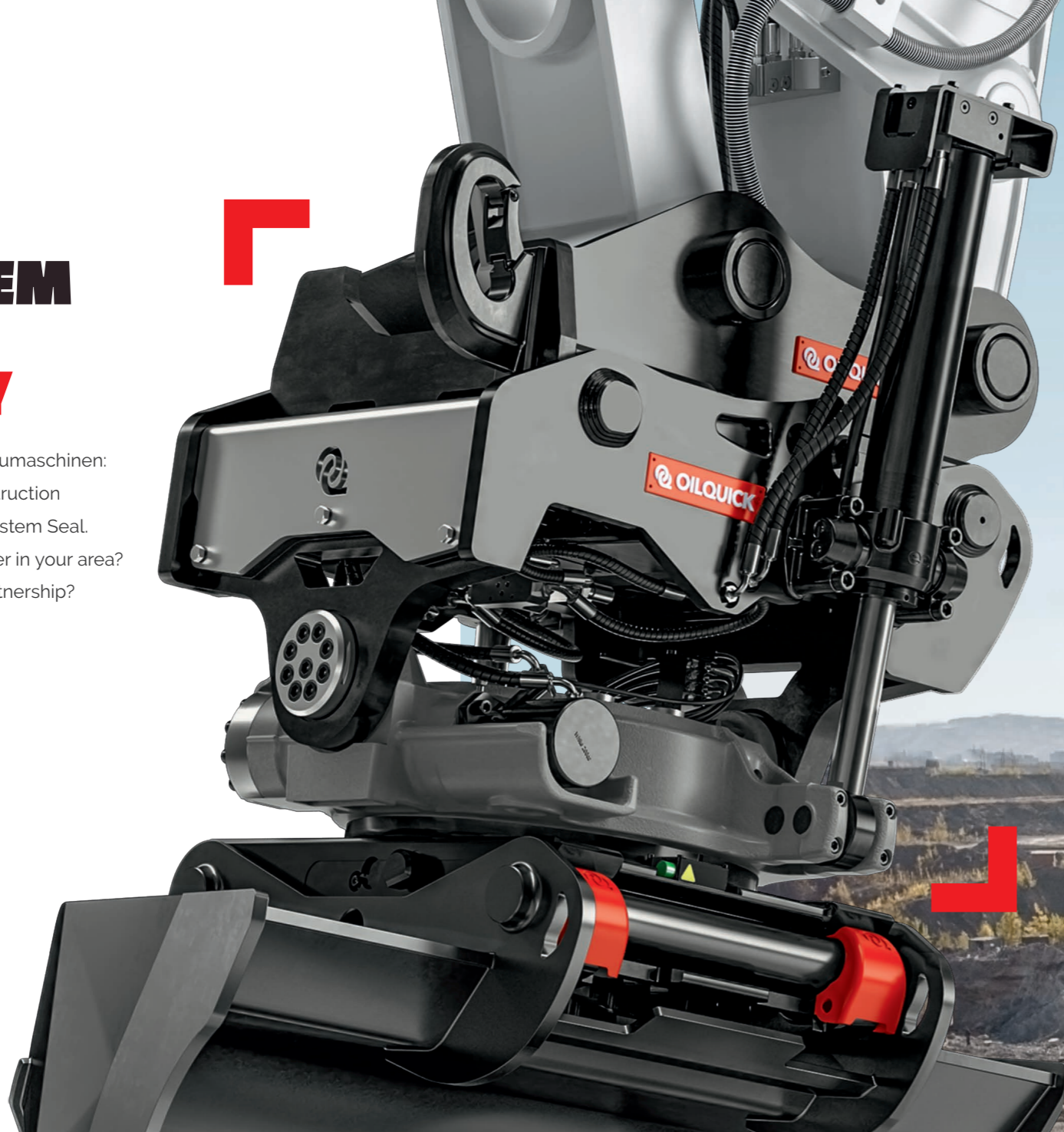
From construction site to construction site or on the way to maintenance: The storage and transport frame makes handling while loading and correct load securing incredibly easy.

- ✓ STABLE STAND AND EASY LASHING
- ✓ EASY PICK-UP WITH THE PALLET FORK
- ✓ PROTECTION AGAINST CONSTRUCTION SITE CONTAMINATION
- ✓ TAILORED PRECISELY TO YOUR TILTROTATOR
- ✓ WITH DOCUMENT BOX FOR OPERATING MANUAL
- ✓ WRENCH BRACKET (MECHANICAL VERSION)

# CLEAN SYSTEM A STRONG COMMUNITY

From A for ALLU Group to Z for Zeppelin Baumaschinen:  
Over 200 firms and rental fleets in the construction  
machinery sector already bear the Clean System Seal.  
Do you want to locate a Clean System dealer in your area?  
Or are you interested in a Clean System partnership?  
**Please get in touch!**

Coordination:  
**Anna Betz**  
+49 8202 9618 – 132  
anna.betz@oilquick.de



*"The Clean System Seal is visible evidence of the high level of operational safety of our construction machinery, both in sales and in our rental fleet."*

SCHÜNKE BAUZENTRUM  
BAUMASCHINEN GMBH



*"Clean System is the answer to growing customer requirements for safety. The single source approach not only ensures the CE mark is protected, and thus also warranty and liability, but also the operational readiness and efficiency of the machines. With homogenous systems both we and our customers are on the safe side."*

ZEPPELIN  
BAUMASCHINEN GMBH



*"Customer focus is a central element of our corporate philosophy. The Clean System partnership highlights our above average quality and service standards."*

ALLU GROUP



*"Quality, safety and sustainability are important aspects of our guiding principles. It is for this reason that we specifically chose OilQuick to be our quick coupler product partner. The support of a homogenous system landscape contributes to this aim and Clean System participation was a consistent step for us."*

KIESEL GMBH







*The half-day training course was just the right mix of theory and practice. I now know, for example, what in particular I have to pay attention to during maintenance and I have a better picture of dangerous situations.*



## **WANT TO GET EVEN BETTER? WELCOME TO THE OQ ACADEMY!**

OilQuick products are purchased for their durability, reliability and efficiency. With practical training courses at the OilQuick Academy, we help our customers to take full advantage of this investment. We'll show you tricks of the trade for operation, explain how to minimise wear and tear, and practice until you have fully mastered the safety tools. We alternate between the basics of technology and practical use, between classroom and training grounds.

**The aim:** You work even more productively and safely with your quick coupler-tiltrotator combination after the training course.

**Tip:** We offer special sales training courses for dealers.

### **SIGN UP NOW AND LEARN MORE!**

For machine operators, fleet managers and construction machinery mechanics. For beginners and professionals who want to get the most out of their construction site vehicles. Feel free to get in touch with us for an appointment.

**+49 8202 9618-0**

# OILQUICK BECAUSE YOU DESERVE THE ORIGINAL!

Are you interested in the technical details or looking for a specialist OilQuick dealer? Do you need a quote or want to attend a training course at the OilQuick Academy? Then please get in touch. Our team will be happy to help! Or visit us at one of the forthcoming trade fairs and experience our OilQuick tiltrotators live – all event dates are available on our website.



OILQUICK  
DEUTSCHLAND KG

Bürgermeister-Schauer-Strasse 1  
82297 Steindorf  
Germany



# ANY QUESTIONS OR FEEDBACK? WE'RE HERE FOR YOU.

**+49 8202 9618-0**  
**[www.oilquick.de](http://www.oilquick.de)**  
**[info@oilquick.de](mailto:info@oilquick.de)**

## TECHNICAL DATA QUICK SPECS

	MAX. SCOOP WIDTH	MAX. BREAKAWAY TORQUE	WEIGHT	EXCAVATOR WEIGHT	ROTATION SPEED / REVOLUTION
OQTRS-E06	1.2 m	45 kNm	from 280 kg	4–6 t	6.5 s at 30 L/min
OQTRS-E09	1.3 m	74 kNm	from 285 kg	6–9 t	7 s at 40 L/min
OQTRS-E14	1.6 m	126 kNm	from 300 kg	9–14 t	7 s at 50 L/min
OQTRS-E19	1.7 m	186 kNm	from 460 kg	14–19 t	6 s at 70 L/min
OQTRS-E26	2.0 m	270 kNm	from 580 kg	19–26 t	7 s at 70 L/min
OQTRS-E33	2.2 m	340 kNm	from 900 kg	24–33 t	7 s at 70 L/min

### EVERYTHING AT A GLANCE FOLD OUT AND READ

Which tiltrotators are for which excavator type? The practical QuickSpecs table gives you direct access to the relevant technical data anywhere in the brochure and enables you to quickly find your way around. Just fold out to the side.



[oilquick.de/produkte](https://oilquick.de/produkte)

## **WANT TO FIND OUT MORE? YOUR TILTROTATOR UPGRADE**

We have the right OilQuick tiltrotator for your excavator and your sector – from 4 to 33 tonnes service weight, for structural and civil engineering, for landscaping and rail construction, road and sewer work.

**+49 8202 9618-0**    **[www.oilquick.de](https://www.oilquick.de)**

[oilquick.de](https://oilquick.de)